

Rectifier for Flow Control Valves NG 6 Technical Data Sheet



- Flow control in supply and return line of the consumer
- Allows the same speed of the consumer in both directions
- Sandwich plate valve
- Connection according to ISO 4401

Technical Data

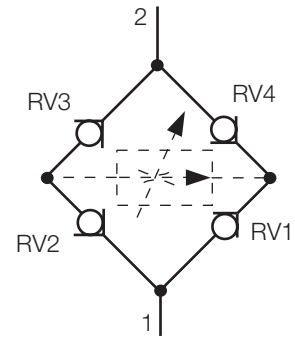
General

Type of valve	seat valve
Valve mounting	hole 2 x Ø5,4
Connection of ports	mounting plate
Mounting position	mountable in any position
Ambient temperature	-5°C to +50°C
Mass valve	0.6 kg

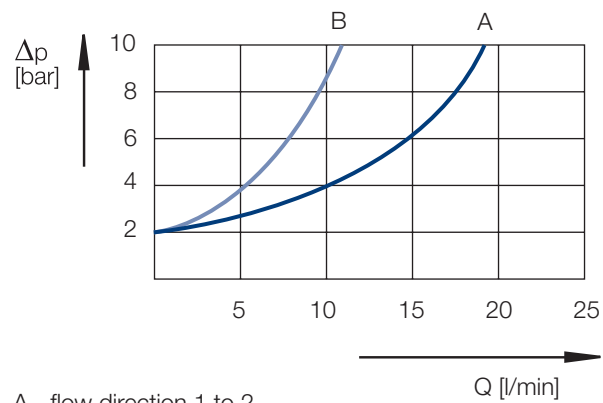
Hydraulic

Operation pressure A, B	max. 250 bar
Hydraulic oil temperature	-10 to +70 °C
Viscosity range	10 to 300 mm ² /s

Symbol

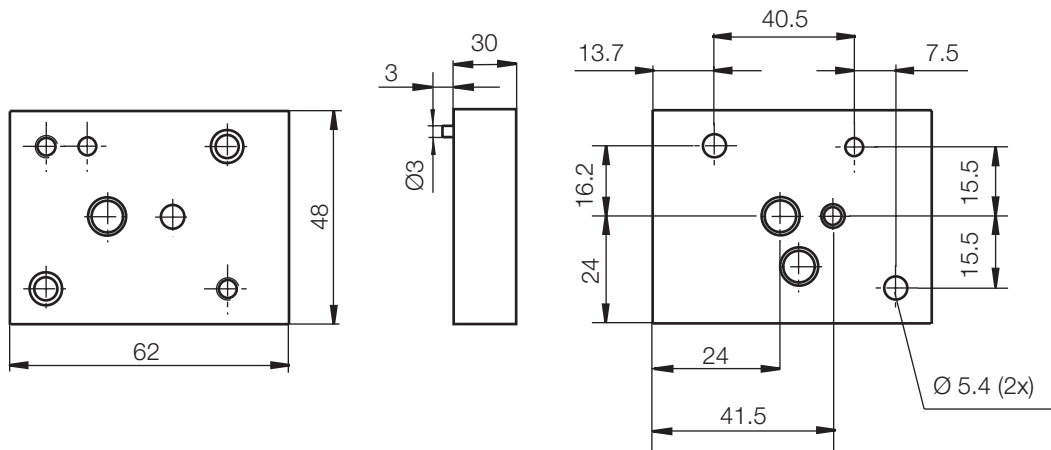


Characteristic Curve

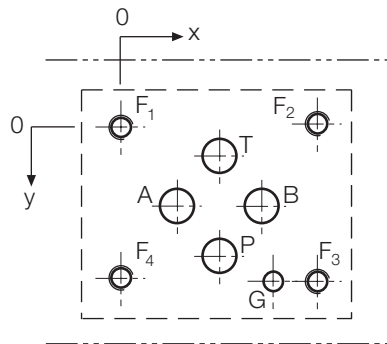


- A flow direction 1 to 2
- B flow direction 2 to 1

Dimensional Drawing



Port Connection Pattern NG 6 ISO 4401



The figure shows the side of the mounting plate to which the valve is fastened.

	P	A	T	B	F1	F2	F3	F4	G
Ø max [mm]	7.5	7.5	7.5	7.5	-	-	-	-	4
x [mm]	21.5	12.7	21.5	30.2	0	40.5	40.5	0	33
y [mm]	25.9	15.5	5.1	15,5	0	-0.75	31.75	31	31.75

F: M5, thread depth min. 1.5 x Ø

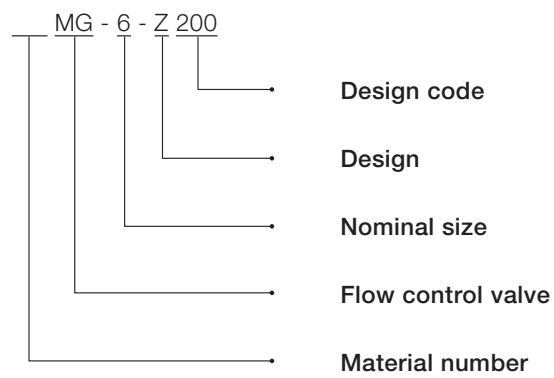
G: hole depth min. 1.5 x Ø

For connection of the rectifier for flow control valves, the ports A and B are used.

Various single and multiple mounting plates are available.

all dimensions in mm

Type Code



Voith Turbo H + L Hydraulic GmbH & Co. KG
Schuckertstraße 15
71277 Rutesheim, Germany
Tel. +49 7152 992 3
Fax +49 7152 992 400
sales-rut@voith.com
www.voith.com/hydraulic-systems



VOITH
Engineered Reliability